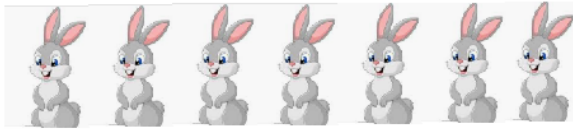


# LF: Addition

1. A shop has 7 rabbits.



It gets 2 more rabbits.



How many rabbits are there now?

2. Susan has 8 toy cars.

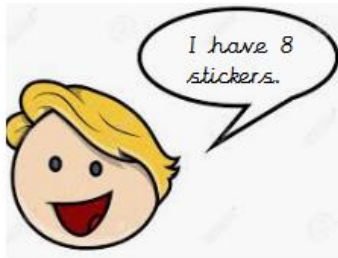


Billy has 5 toy cars.



How many cars are there *altogether*?

3.



Max has 5 more stickers than Dan.

How many stickers does Max have?

4. A shop has 11 rabbits.



They then get 5 more rabbits.



How many rabbits are there now?

5. Bobby has 16 toy cars.



Mark has 4 toy cars.

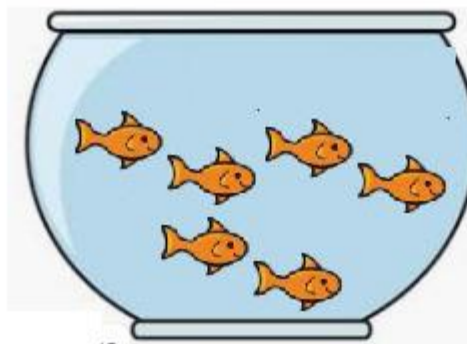


Jack has 3 toy cars.



How many cars are there *altogether*?

6.



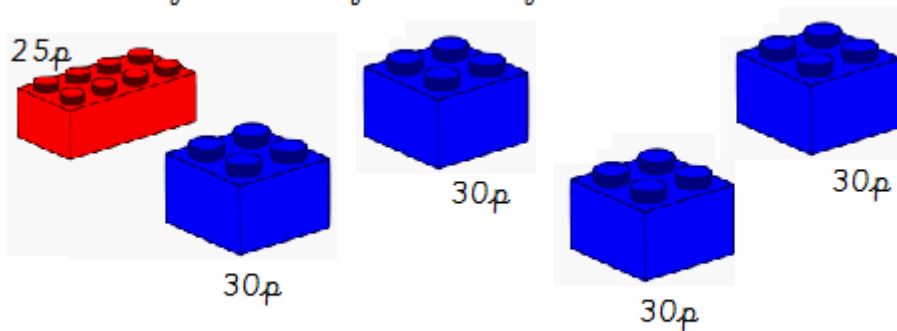
Becky wants 11 fish in her fish bowl. How many more fish does she need to add?

7.



Billy has 9 more stickers than Mary.  
How many stickers does Mary have?

8. Emma buys some Lego. She buys:



How much money did Emma spend?

9. Sarah and Millie are collecting leaves.



Sarah collects 12 leaves.

Millie collects 7 leaves.

How many leaves do they collect altogether?

10. Millie collects blueberries.



Billy collects some blueberries.



Tilly also collects some blueberries.



How many blueberries do the children have in total?

Do they have more or less than 20?